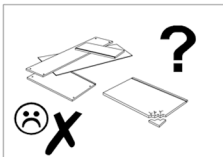
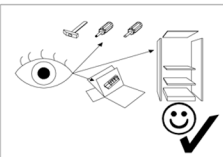
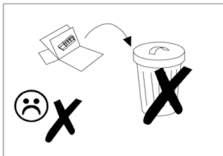
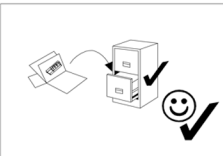
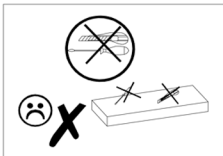
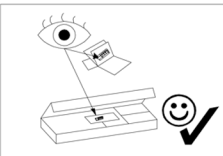
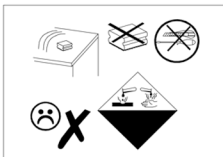
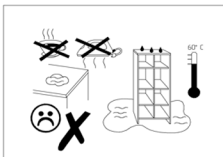
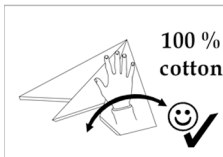
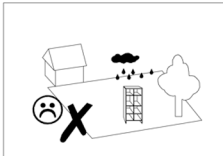
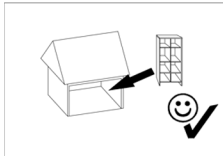
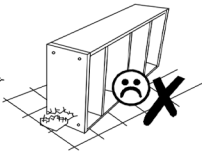
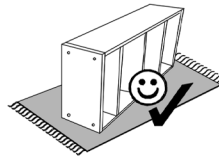
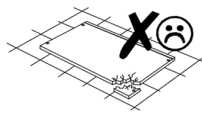
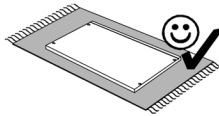
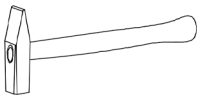
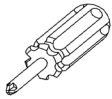
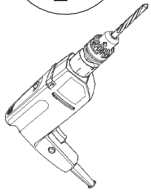


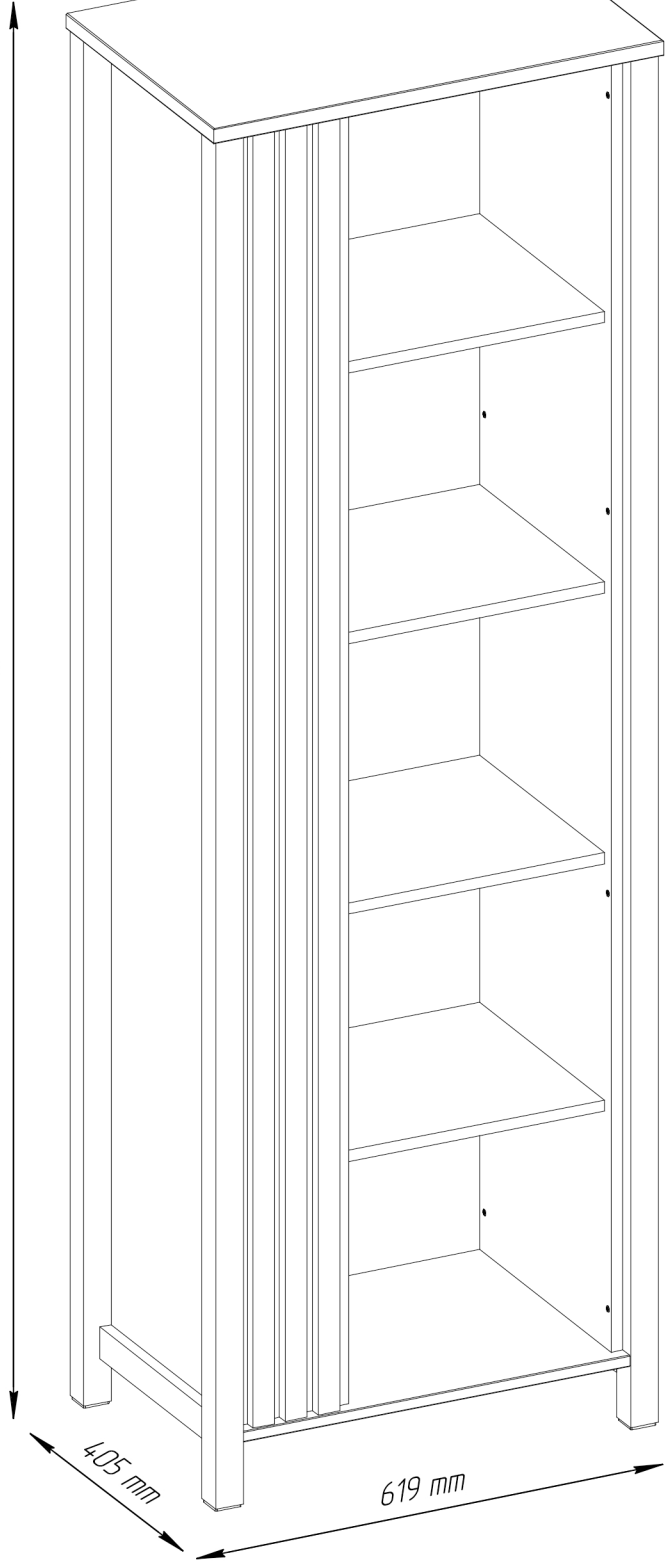
HELIO



80 min

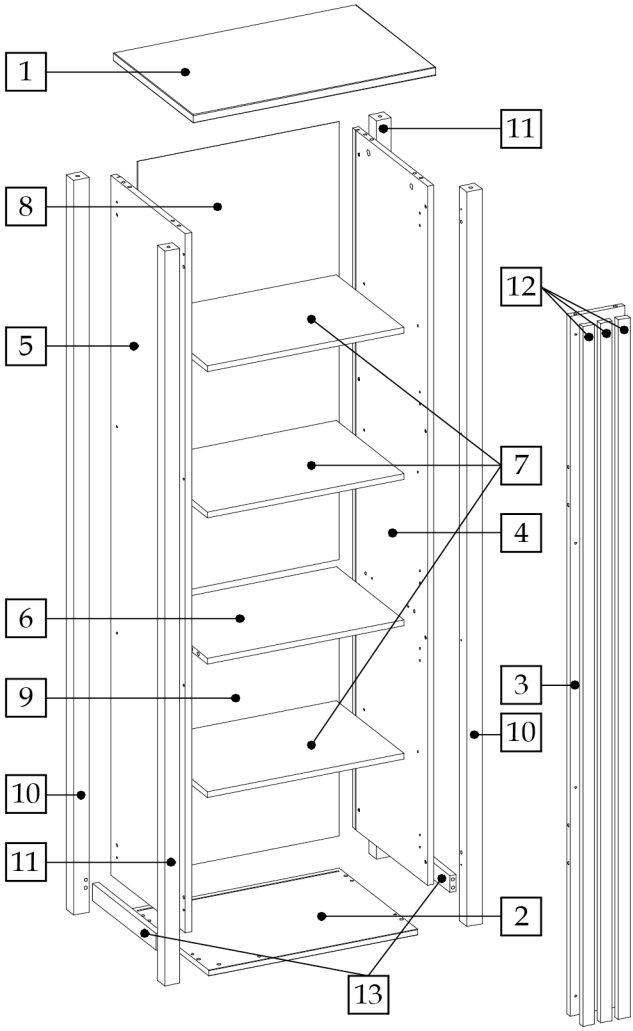
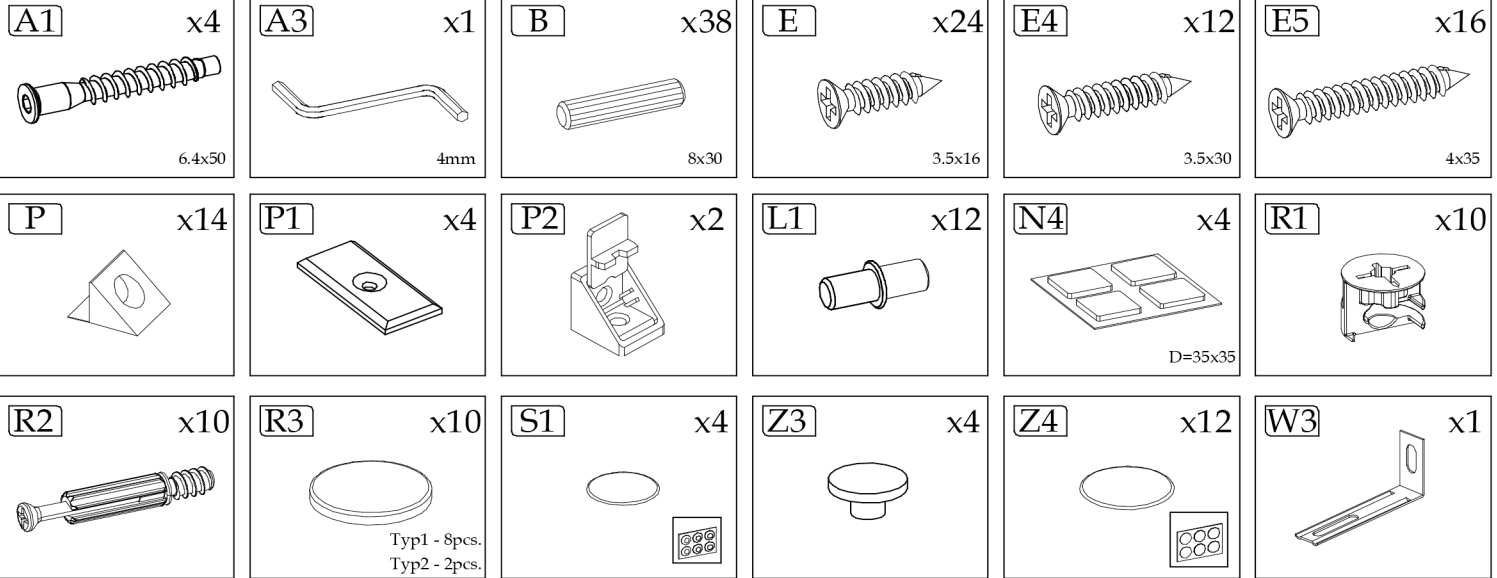


2000 mm

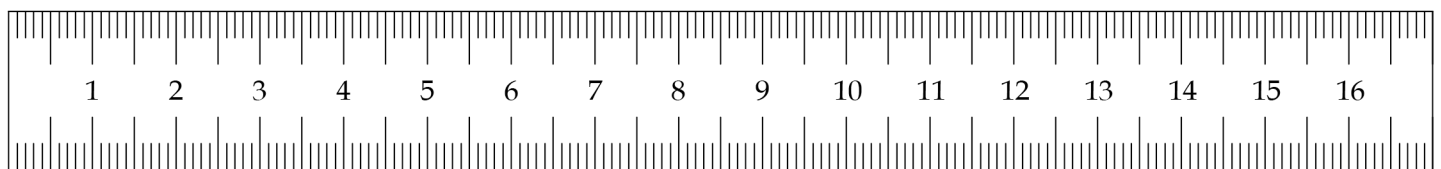
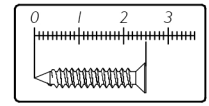


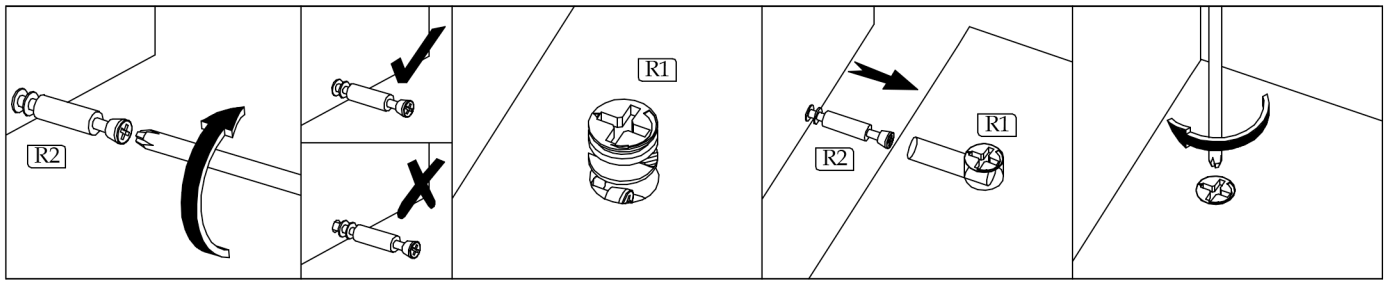
405 mm

619 mm

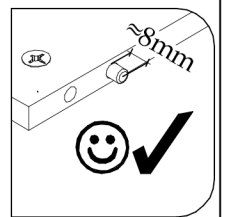
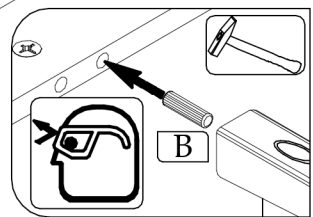
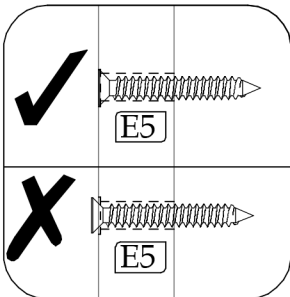
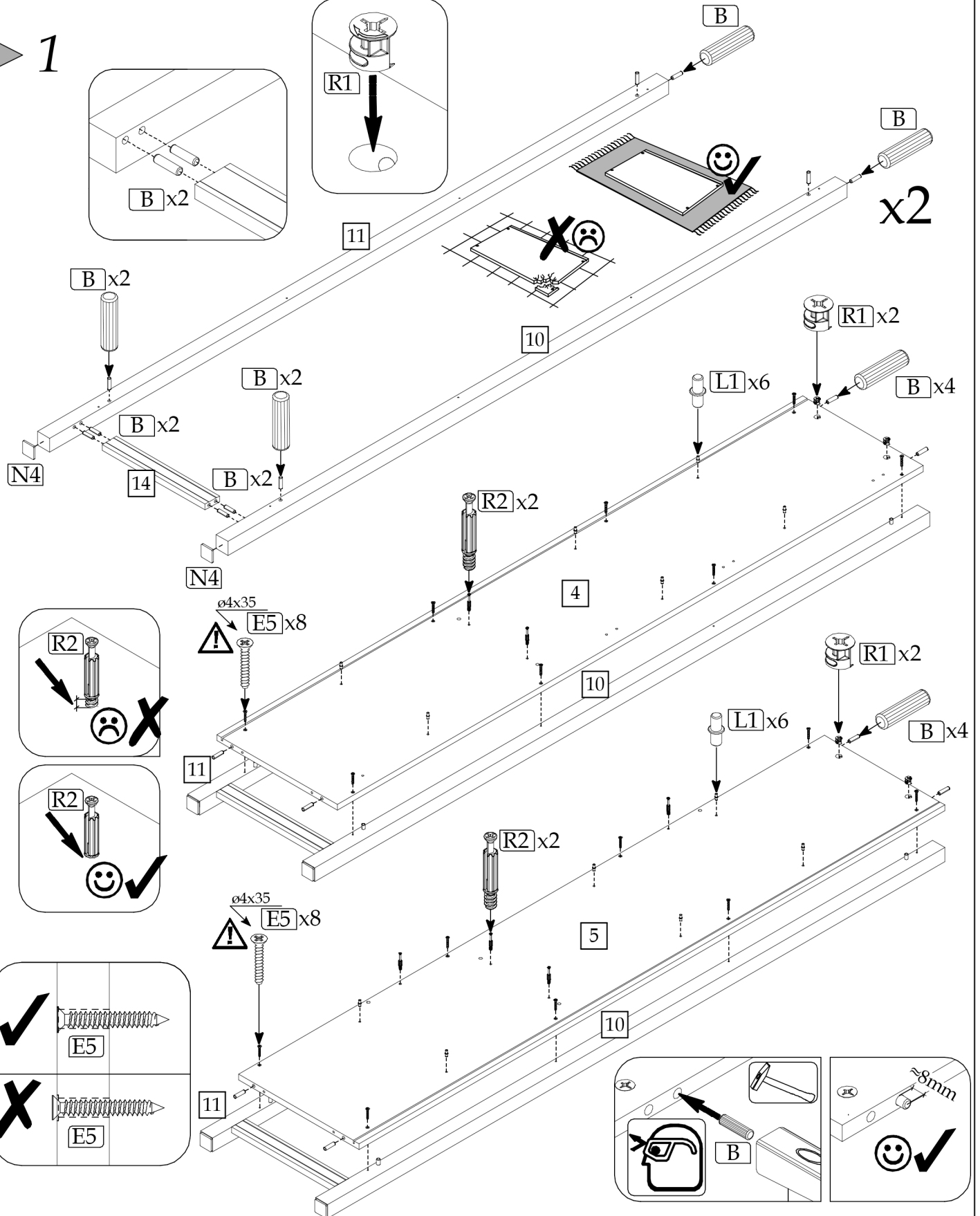
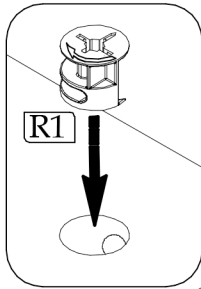
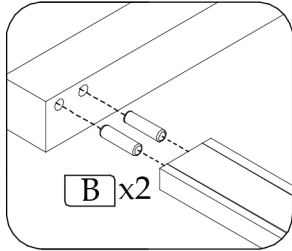


| Element symbol | Measurements | | | | Code | Pack |
|----------------|--------------|------|----|---|-----------------|------|
| 1 | 619 | 405 | 16 | 1 | 1001_EVOK | 1/2 |
| 2 | 533 | 398 | 16 | 1 | 1012 | 1/2 |
| 3 | 140 | 1844 | 16 | 1 | 1009 | 1/2 |
| 4 | 1844 | 379 | 16 | 1 | 1010 | 1/2 |
| 5 | 1844 | 379 | 16 | 1 | 1011 | 1/2 |
| 6 | 501 | 343 | 16 | 1 | 1027 | 1/2 |
| 7 | 501 | 343 | 16 | 3 | N/A | 1/2 |
| 8 | 1155 | 515 | 3 | 1 | N/A | 1/2 |
| 9 | 703 | 515 | 3 | 1 | N/A | 1/2 |
| 10 | 1980 | 38 | 38 | 2 | EVOK_1980x38_T1 | 2/2 |
| 11 | 1980 | 38 | 38 | 2 | EVOK_1980x38_T2 | 2/2 |
| 12 | 1844 | 30 | 16 | 3 | P16_1844x30x16 | 1/2 |
| 13 | 324 | 45 | 16 | 2 | P16_324x45x16 | 1/2 |

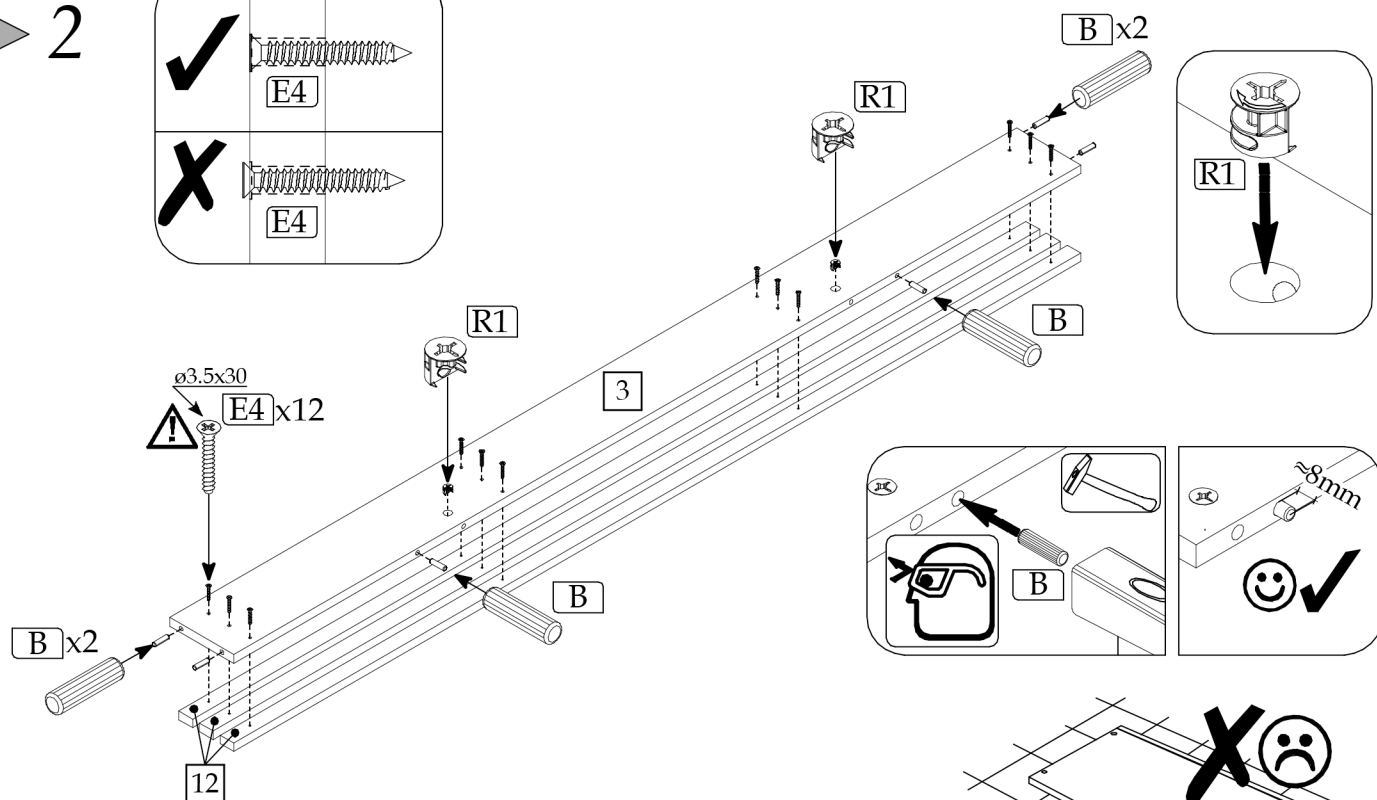
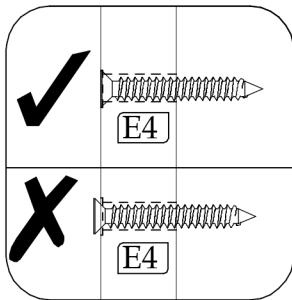




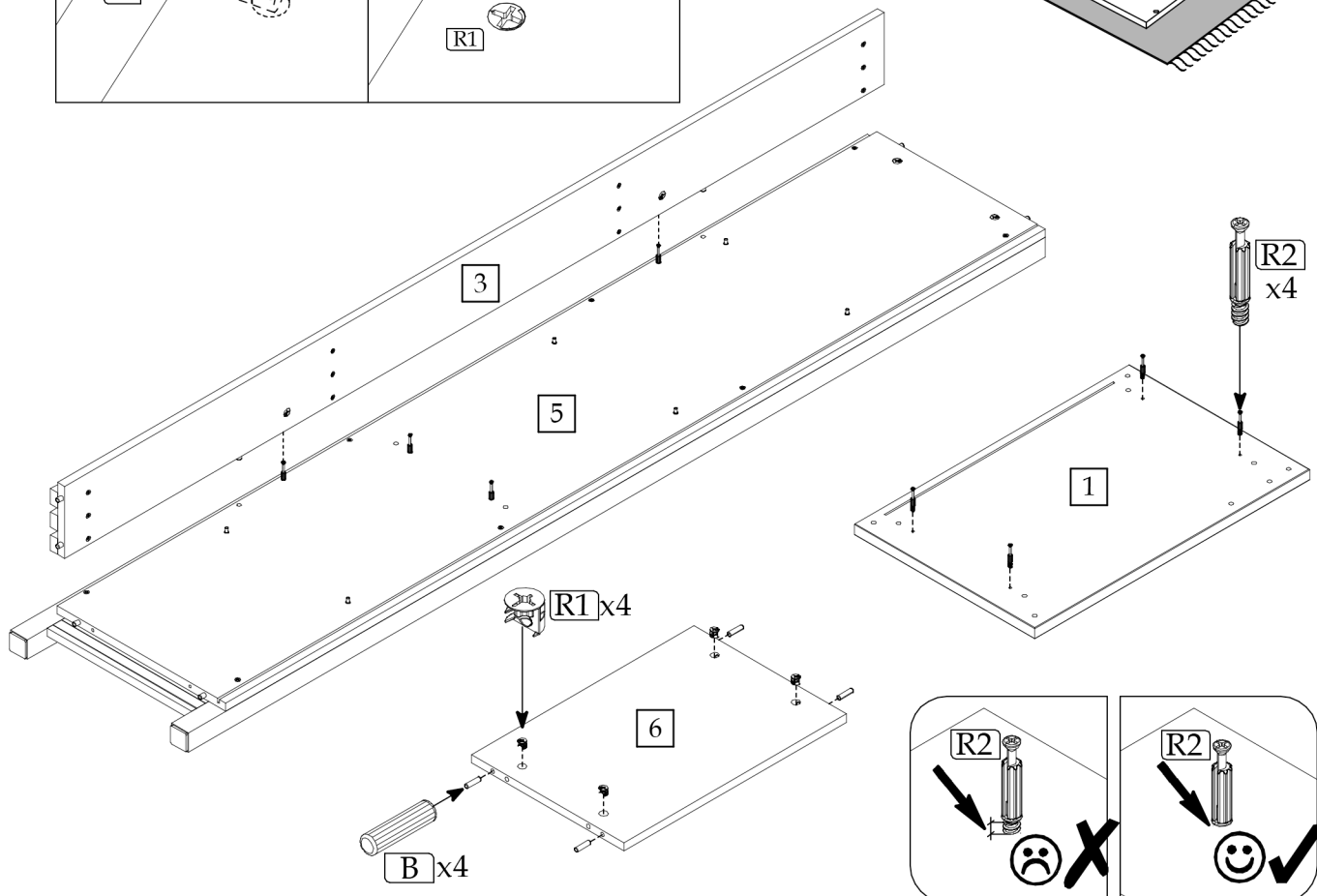
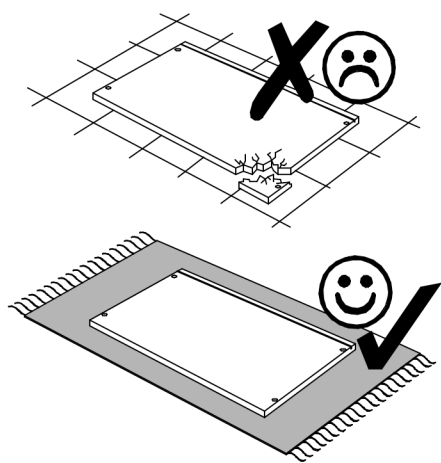
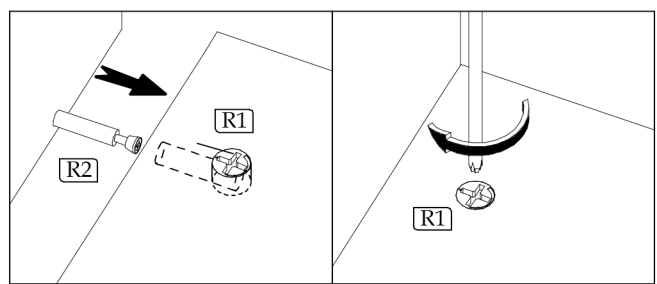
▶ 1



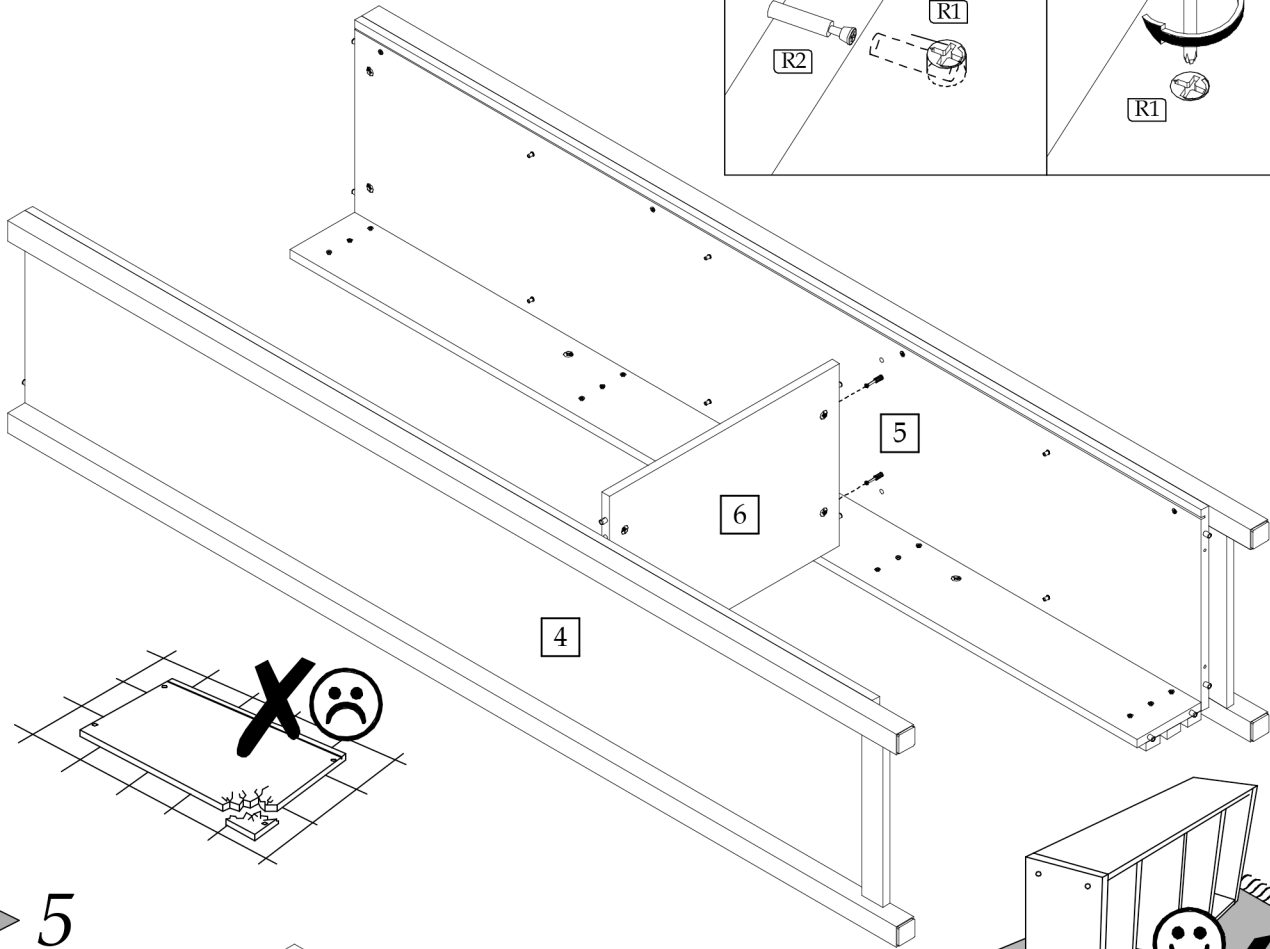
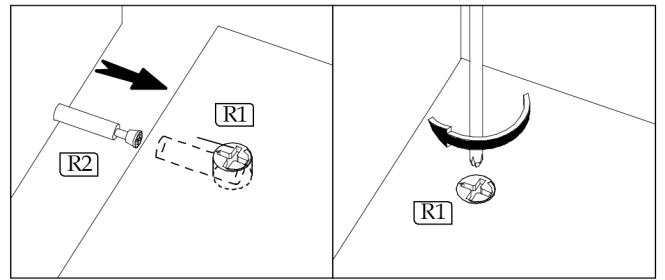
▶ 2



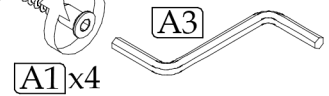
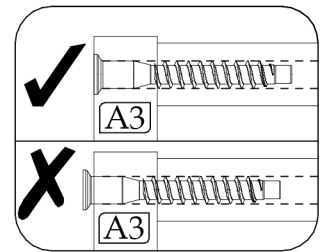
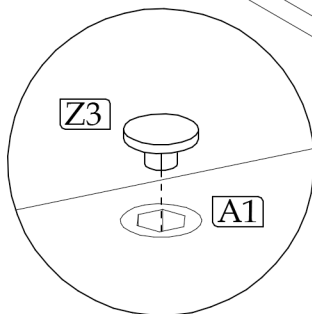
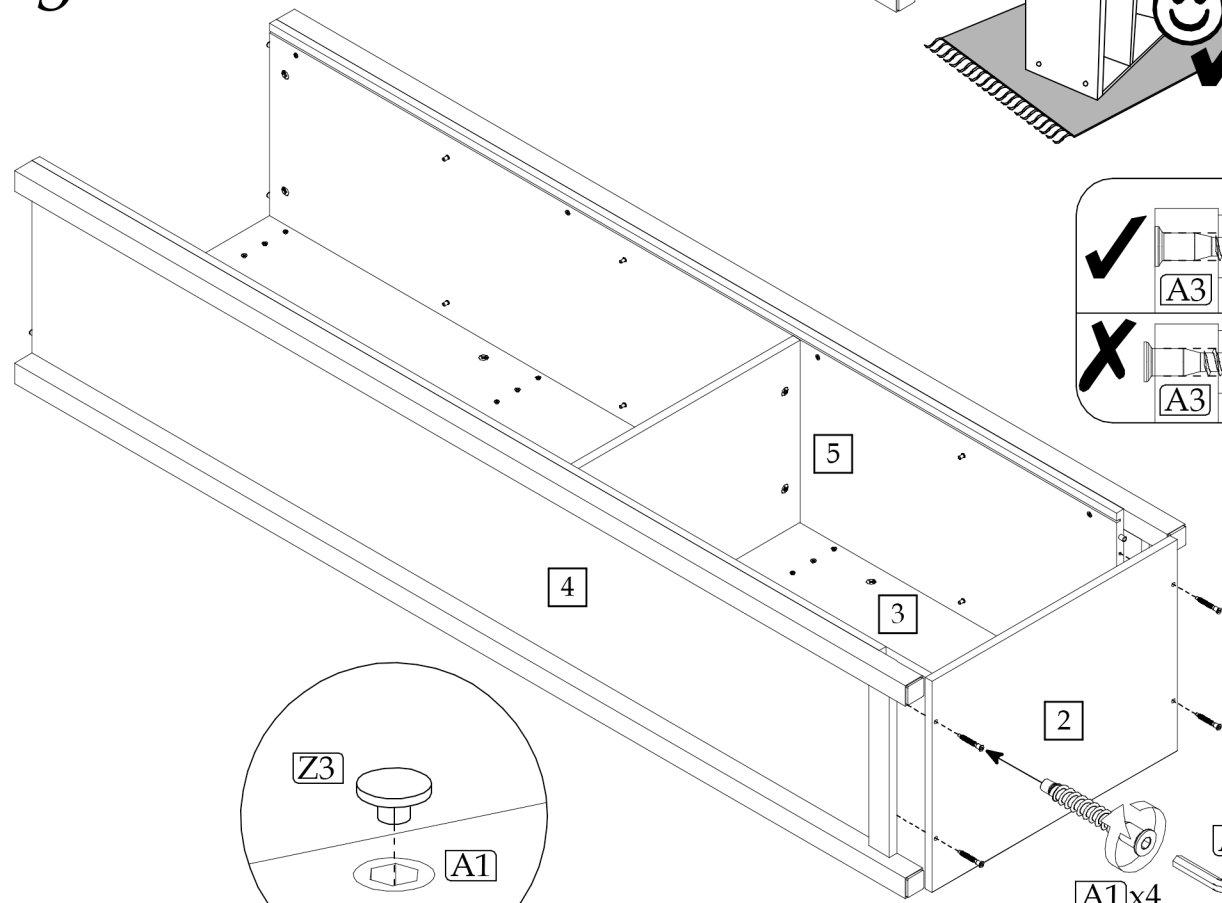
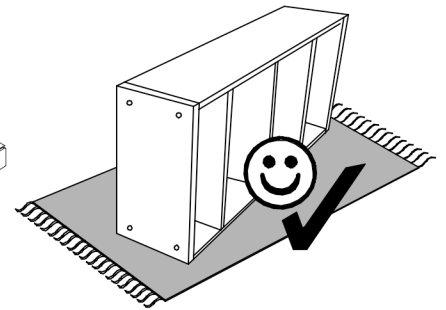
▶ 3



▶ 4

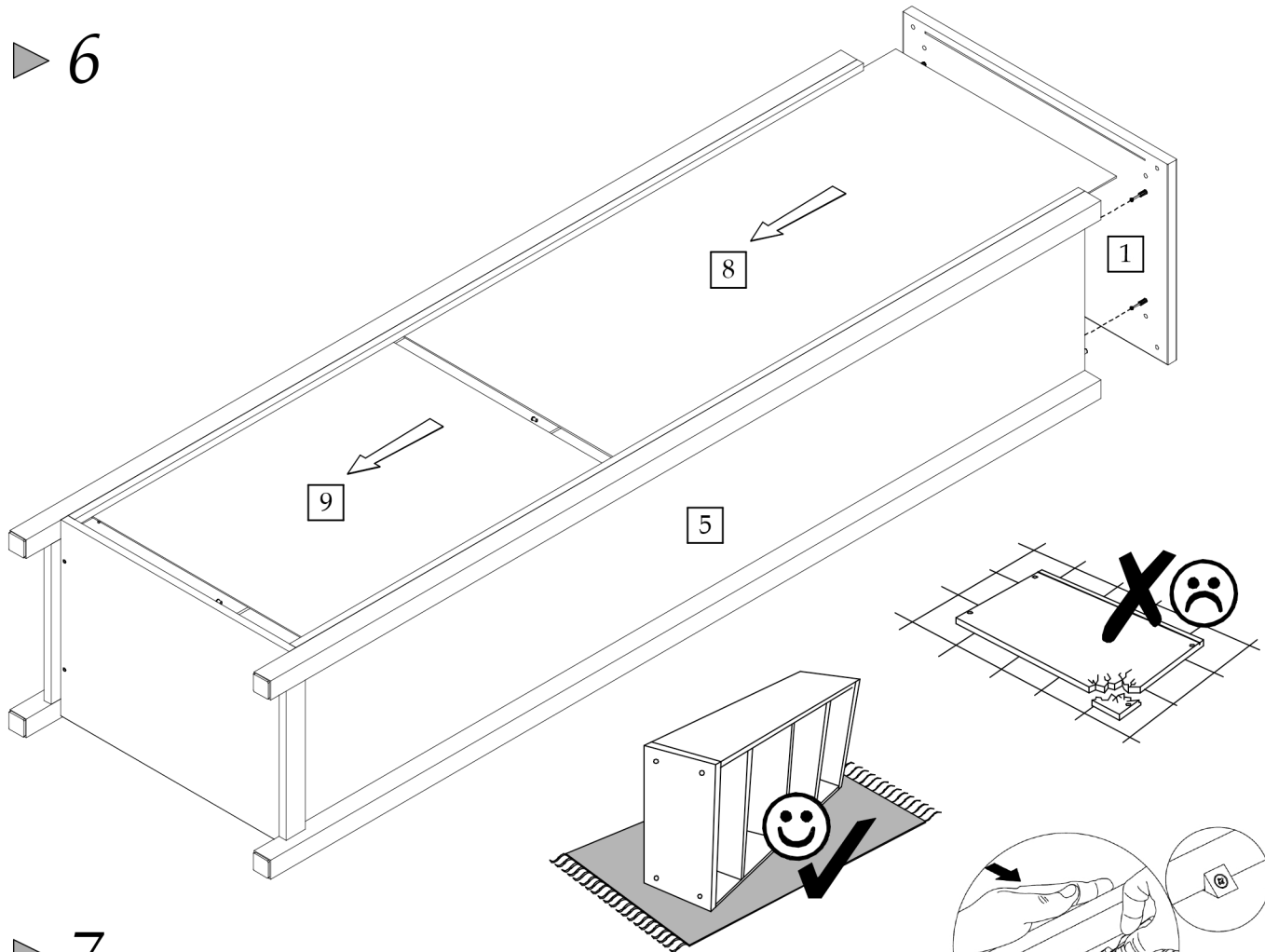


▶ 5



A1 x4

▶ 6



▶ 7

